

THERMAL MAGNETIC MCCBs

FIXED AND
ADJUSTABLE

DRX

NOW UP TO 630 A



THE MCCB THAT EASILY
FITS YOUR INSTALLATION

CATALOGUE
PAGES
INSIDE

THE GLOBAL SPECIALIST
IN ELECTRICAL AND DIGITAL BUILDING INFRASTRUCTURES

 **legrand**[®]

CONTENT

01

Legrand's DRX offer



03

DRX Fixed



CONTENT

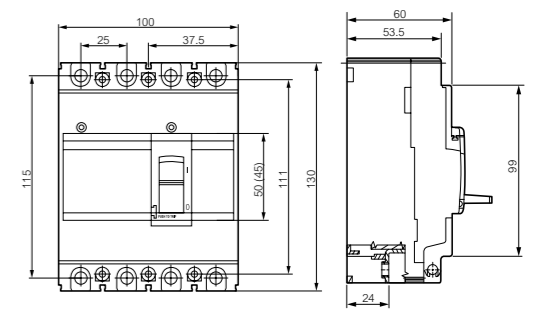
13

DRX Adjustable



21

Dimensions
Installation Instruction





AN ENHANCED OFFER

With the arrival of the new adjustable DRX, Legrand has enhanced its offer of thermal magnetic MCCBs to meet your requirements even more effectively. Designed to extend the existing DRX range, the adjustable version combines simplicity and robustness with safety and reliability.

Whatever your application, the level of protection required, or your specific budget, Legrand has a reliable solution for you!

DRX



- Designed for residential, commercial or industrial applications
- For installations up to 630 A (breaking capacity ≤ 50 kA) with no specific constraints

ADJUSTABLE DRX

NEW



- Designed for residential, commercial or industrial applications
- For installations up to 630 A (breaking capacity ≤ 50 kA) requiring a greater degree of flexibility in the choice of trip thresholds to provide more adaptable protection

DPX³



- For installations up to 1600 A (breaking capacity ≤ 100 kA) requiring high-precision protection, excellent continuity of service, measurement of different electrical values and multiple configurations
- Ensuring scalability and ease of maintenance

FIXED DRX



AN EXTENDED RANGE UP TO 630 A

Designed to work in any type of environment, the DRX range of thermal magnetic circuit breakers has been expanded to meet your essential needs in terms of protecting an electrical installation up to 630 A.

For many years, the robust design of the DRX range has made it the ideal choice for efficiency and economy.

A solution adapted to numerous different sites, whether residential, commercial or even in the industrial sector.
Works in any type of environment, including in extreme temperatures.



THE BENEFITS OF THE DRX RANGE

THE CHOICE

- Three different sizes
- Ratings ranging from 15 to 630 A
- Several breaking capacities between 16 and 50 kA

ROBUST DESIGN

- SEMKO - LOVAG certification
- Compliant with standard IEC 60947-2
- Mechanical endurance up to 25,000 operations

ADAPTABILITY

- An exclusive system to change from the 50 mm standard to the 45 mm DIN standard
- Fixing on DIN rail or plate for DRX 125 and 250
- Wiring via cables or busbars
- Installation in any position
- Suitable for all environments (tropicalisation, pollution, salt corrosion, etc.)
- Operates in AC or DC

THE RANGE: THERMAL MAGNETIC MCCBs

DRX 125



DRX 250



DRX 630



Mounting	ON RAIL OR ON PLATE			ON RAIL OR ON PLATE			ON PLATE	
Rated current (In)	From 15 to 125 A			From 125 to 250 A			From 320 to 630 A	
Breaking capacity (Icu) at 415 V~	16 kA	20 kA	36 kA	18 kA	25 kA	36 kA	36 kA	50 kA
Standard breaking capacity Ics (%Icu)	50	50	50	50	50	50	50	50
Number of poles	3P - 4P	3P - 4P	1P* - 2P* 3P - 4P	3P - 4P	3P - 4P	3P - 4P	3P - 4P	3P - 4P

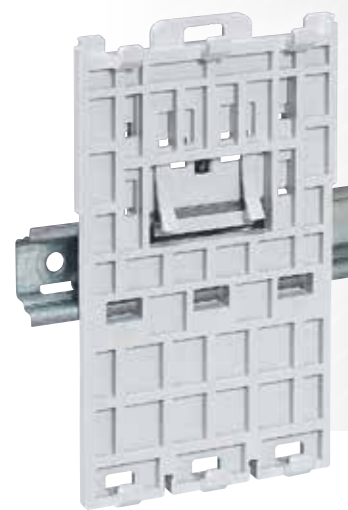
* From 15 to 100 A

EASE OF INSTALLATION AND WIRING

The DRX range includes numerous accessories which make wiring and installation easier and allow remote tripping, saving time during installation and enhancing safety.

DRX

EASE OF INSTALLATION AND FLEXIBILITY

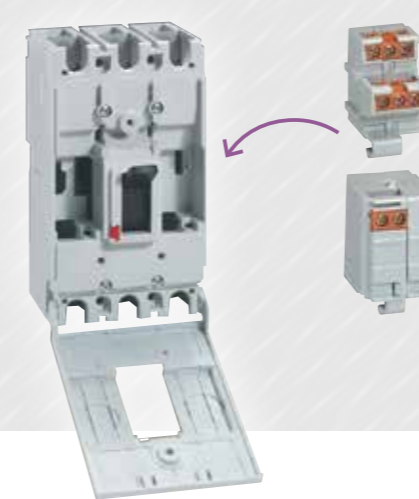


← MCCB easily positioned and removed from the DIN rail with the adaptor (only on DRX 125 and 250).

→ An exclusive system to change from the 50 mm standard to the 45 mm DIN standard



REMOTE TRIPPING FOR SAFETY



← Both the DRX 125 and 250 have a hinge so the front can open and close.

→ The control and signalling auxiliaries simply clip on.



A VARIETY OF WIRING SYSTEM OPTIONS

24 mm distance between base and terminal, for mounting on busbars.



Cable spreaders, cage terminals, rear terminals, terminal shields, etc; our wiring accessories cover all your requirements.

RISK-FREE INTERVENTION



The padlock can be used to lock the handle in "Open" position during maintenance operations and thus avoid any risk of accidents due to mishandling.

The DRX range can also be installed in XL³-N 125/250 enclosures





For switching, control, isolation and protection of low-voltage electrical lines
Can be fitted with auxiliaries (p. 10)

- Supplied with:
- M5 terminal for $I_n \leq 50$ A and M8 range for $I_n > 50$ A
 - Fixing screws
 - Insulating shields (2 for 3P and 3 for 4P)
- Fixed thermal and magnetic
Conform to IEC 60947-2, in compliance with NEMA

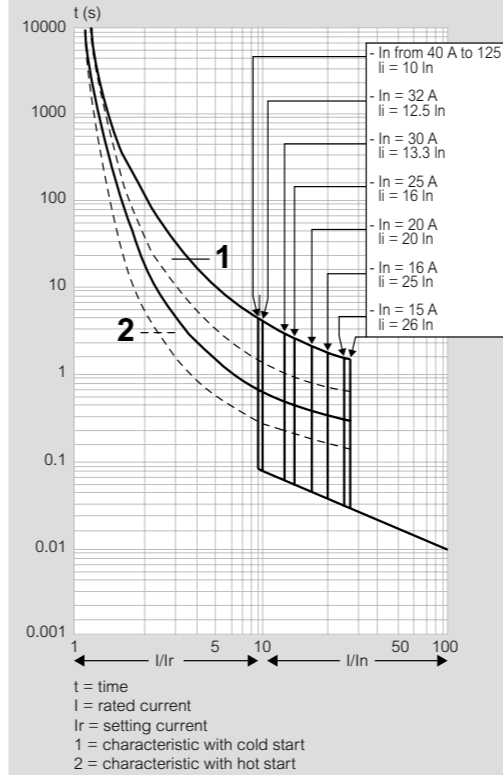
Pack	Cat.Nos		DRX 125
	3P	4P	Breaking capacity Icu 10 kA (415 V~)
1	0 270 00	0 270 10	I_n 15 A
1	0 270 01	0 270 11	20 A
1	0 270 02	0 270 12	25 A
1	0 270 03	0 270 13	30 A
1	0 270 04	0 270 14	40 A
1	0 270 05	0 270 15	50 A
1	0 270 06	0 270 16	60 A
1	0 270 39	0 270 29	63 A
1	0 270 07	0 270 17	75 A
1	0 272 55 ²	0 272 56 ²	80 A
1	0 270 08	0 270 18	100 A
1	0 270 09	0 270 19	125 A
			Breaking capacity Icu 20 kA (415 V~)
1	0 270 20	0 270 30	I_n 15 A
1	0 270 21	0 270 31	20 A
1	0 270 22	0 270 32	25 A
1	0 270 23	0 270 33	30 A
1	0 270 24	0 270 34	40 A
1	0 270 25	0 270 35	50 A
1	0 270 26	0 270 36	60 A
1	0 272 20	0 272 22	63 A
1	0 270 27	0 270 37	75 A
1	0 272 57 ²	0 272 58 ²	80 A
1	0 270 28	0 270 38	100 A
1	0 272 21	0 272 23	125 A
			Breaking capacity Icu 36 kA (415 V~)
1	0 270 40 ¹	0 270 50	I_n 15 A
1	0 270 41 ¹	0 270 51	20 A
1	0 270 42 ¹	0 270 52	25 A
1	0 270 43 ¹	0 270 53	30 A
1	0 270 44 ¹	0 270 54	40 A
1	0 270 45 ¹	0 270 55	50 A
1	0 270 46 ¹	0 270 56	60 A
1	0 270 47 ¹	0 270 57	75 A
1	0 270 48 ¹	0 270 58	100 A
	3P	4P	I_n
1	0 270 60	0 270 70	15 A
1	0 270 61	0 270 71	20 A
1	0 270 62	0 270 72	25 A
1	0 270 63	0 270 73	30 A
1	0 270 64	0 270 74	40 A
1	0 270 65	0 270 75	50 A
1	0 270 66	0 270 76	60 A
1	0 272 24	0 272 26	63 A
1	0 270 67	0 270 77	75 A
1	0 272 59 ²	0 272 60 ²	80 A
1	0 270 68	0 270 78	100 A
1	0 272 25	0 272 27	125 A

Pack	Cat.Nos	Mounting on rail
20	0 271 89	Plates for fixing DRX 125 on DIN rail For 1P
12	0 271 90	For 2P
6	0 271 87	For 3P and 4P
Pack	Cat.Nos	Rotary handles
1	0 271 76	Direct on DRX Standard (grey)
1	0 271 77	Vari-depth handle Comprising: connecting rod, bracket, drilling template, mounting accessories, door locking mechanism Standard (grey)
Pack	Cat.Nos	Connection accessories
1	0 271 81	Insulating shields Used to isolate the connection between each pole Set of 2
1	0 271 82	Set of 3
1	0 271 91	Sealable terminal shields Set of 2
1	0 271 83	3P
1	0 271 84	4P
1	0 271 70	3P
1	0 271 71	4P
1	0 271 72	4P
1	0 271 73	4P
1	0 272 52	4P
1	0 272 53	4P
1	0 271 92	Cage terminals Up to 50 A (inclusive)
1	0 271 93	From 60 to 100 A
1	0 272 54	For 125 A
1	0 271 92	Set of 60 pieces up to 50 A (inclusive)
1	0 271 93	Set of 60 pieces from 60 to 100 A
1	0 272 54	Set of 60 pieces 125 A
Pack	Cat.Nos	Padlock for DRX 125 and 250
1	0 271 80	For locking on "OFF" position (up to 3 locks)

1: Icu 25 kA (240 V~) for 1P
2: Available from January 2015

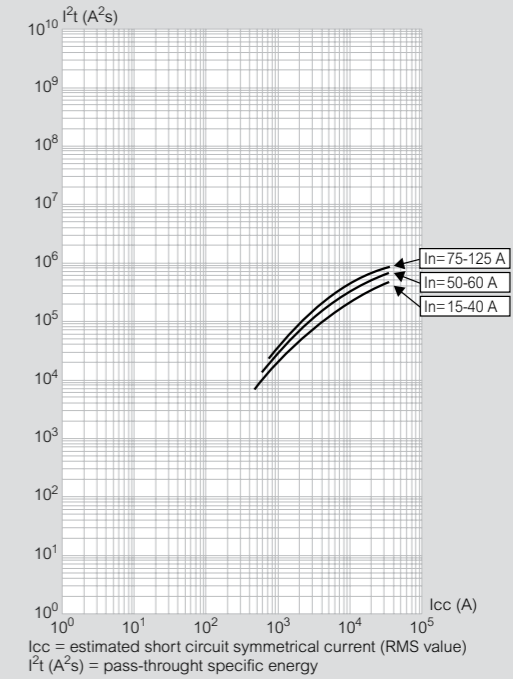
Curves

DRX 125 $I_{max} = 125$ A from 10 kA to 36 kA 3P - 4P at 415 V~



Pass-through specific energy characteristics

DRX 125 $I_{max} = 125$ A from 10 kA to 36 kA 3P - 4P at 415 V~



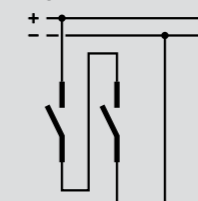
Icc = estimated short circuit symmetrical current (RMS value)
 I^2t (A²s) = pass-through specific energy

Technical characteristics

	DRX 10 kA	DRX 20 kA	DRX 36 kA ⁽¹⁾	DRX 36 kA	DRX 36 kA
Number of poles	3P - 4P	3P - 4P	1P	2P	3P - 4P
Nominal current In (A)	15-125	15-125	15-100	15-100	15-125
Neutral protection for 4P version (%)	100	100	100	100	100
Rated insulation voltage Ui (V)	690	690	690	690	690
Rated impulse withstand current Uimp (kV)	6	6	6	6	6
Rated operating voltage (50/60 Hz) Ue (V)	550	550	550	550	550
	110/130 V~	50	75	50	75
	220/240 V~	25	40	25	60
	277 V~	-	-	15	50
Ultimate breaking capacity Icu (kA) IEC 60947-2	380/415 V~	10	20	10	36
	440/460 V~	10	15	-	30
	480/550 V~	7,5	10	-	20
	600 V~	5	5	-	10
	125 V=	10 ⁽²⁾	10 ⁽²⁾	10	20 ⁽²⁾
	250 V=	5 ⁽²⁾	5 ⁽²⁾	5	10 ⁽²⁾
Ultimate breaking capacity Icu (kA) NEMA AB-1	240 V~	25	40	25	100
	480 V~	7,5	10	-	20
	600 V~	5	5	-	10
Standard breaking capacity Ics (% Icu)		50	50	50	50
Category of use		A	A	A	A
Suitable for isolation		YES	YES	YES	YES
Endurance (cycles)		25000	25000	25000	25000
	mechanical	25000	25000	25000	25000
	electrical at In	8000	8000	8000	8000
	electrical at 0.5 In	10000	10000	10000	10000

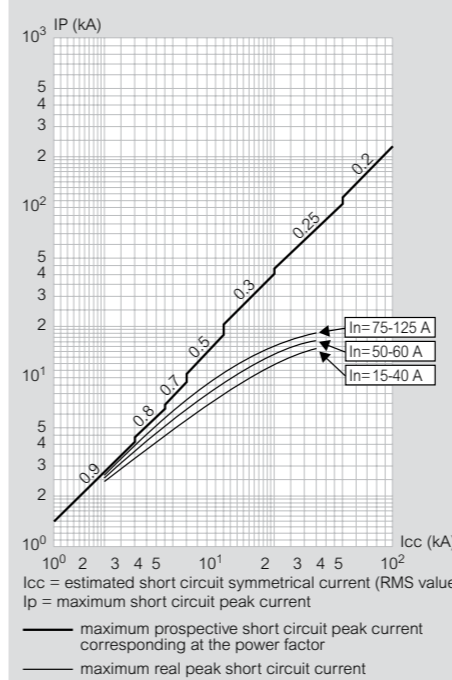
1: 1P - Icu 25 kA (220/240 V~)
2: 2 poles in series

2 poles in series

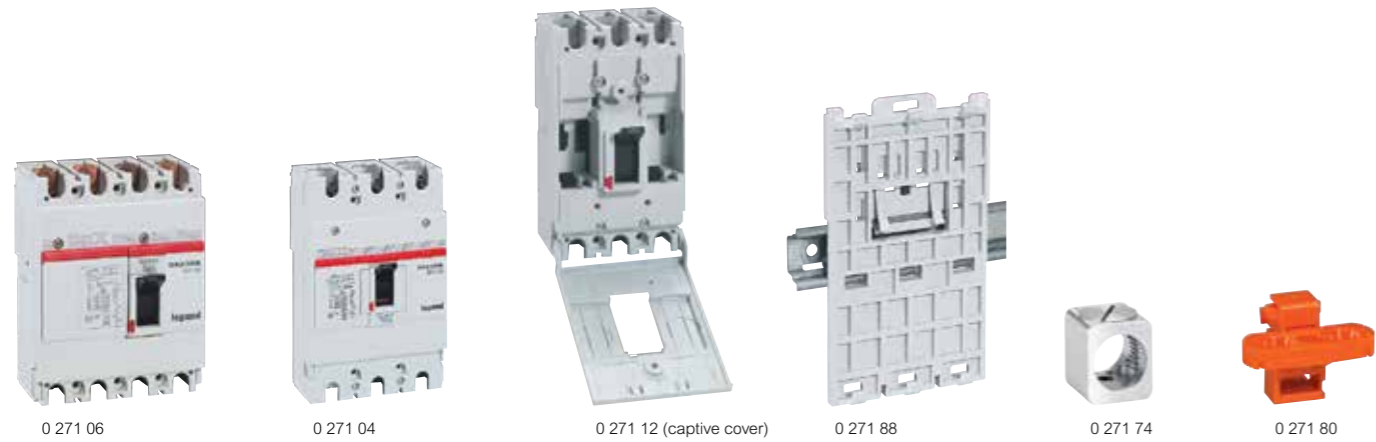


Current limitation

DRX 125 $I_{max} = 125$ A from 10 kA to 36 kA 3P - 4P at 415 V~



Icc = estimated short circuit symmetrical current (RMS value)
Ip = maximum short circuit peak current
— maximum prospective short circuit peak current corresponding at the power factor
— maximum real peak short circuit current



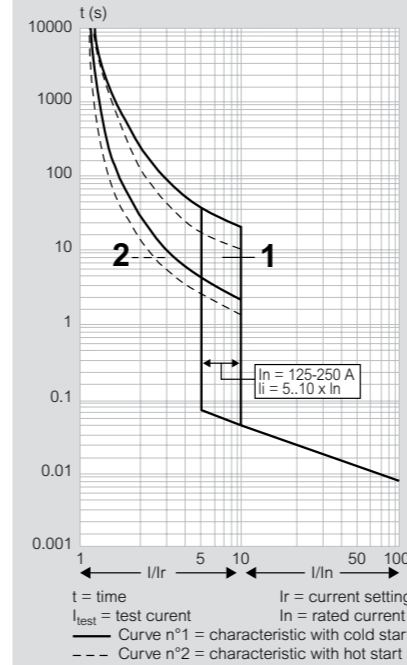
For switching, control, isolation and protection of low-voltage electrical lines
 Can be fitted with auxiliaries
 Supplied with:
 - M8 terminals
 - Fixing screws
 - Insulating shields (2 for 3P and 3 for 4P)
 Fixed thermal and magnetic
 Conform to IEC 60947-2

Pack	Cat.Nos	DRX 250
		Breaking capacity Icu 18 kA (415 V~)
		In
1	0 271 00 0 271 06	125 A
1	0 271 01 0 271 07	150 A
1	0 272 28 0 272 29	160 A
1	0 271 02 0 271 08	175 A
1	0 271 03 0 271 09	200 A
1	0 271 04 0 271 10	225 A
1	0 271 05 0 271 11	250 A
		Breaking capacity Icu 25 kA (415 V~)
		In
1	0 271 12 0 271 18	125 A
1	0 271 13 0 271 19	150 A
1	0 272 30 0 272 31	160 A
1	0 271 14 0 271 20	175 A
1	0 271 15 0 271 21	200 A
1	0 271 16 0 271 22	225 A
1	0 271 17 0 271 23	250 A
		Breaking capacity Icu 36 kA (415 V~)
		In
1	0 271 24 0 271 30	125 A
1	0 271 25 0 271 31	150 A
1	0 272 32 0 272 33	160 A
1	0 271 26 0 271 32	175 A
1	0 271 27 0 271 33	200 A
1	0 271 28 0 271 34	225 A
1	0 271 29 0 271 35	250 A
		Mounting on rail
1	0 271 88	Plate for fixing DRX 250 on DIN rail
		Rotary handles
		Direct on DRX
1	0 271 78	Standard (grey)
		Vari-depth handle
1	0 271 79	Comprising: connecting rod, bracket, drilling template, mounting accessories, door locking mechanism Standard (grey)

Pack	Cat.Nos	Connection accessories
		Insulating shields
1	0 271 81	Used to isolate the connection between each pole Set of 2
1	0 271 82	Set of 3
		Sealable terminal shields
1	0 271 85 0 271 86	Set of 2
		Cage terminals
1	0 271 74 0 271 75	Up to 250 A Set of 60 pieces
1	0 271 94	
		Padlock for DRX 125 and 250
1	0 271 80	For locking on "OFF" position (up to 3 locks)
		Control and signalling auxiliaries for DRX 125 and 250
		Auxiliary contact blocks
		For left-hand side mounting Up to 250 V~ and =
1	0 271 40	Block with 1 auxiliary
1	0 271 41	Block with 1 alarm
1	0 271 42	Block with 1 auxiliary + 1 alarm
		Shunt trips
1	0 271 50	12 V~ and =
1	0 271 51	24 V~ and =
1	0 271 52	48 V~ and =
1	0 271 53	100/130 V~
1	0 271 54	200/277 V~
1	0 271 55	380/480 V~
		Undervoltage releases
1	0 271 60	12 V~ and =
1	0 271 61	24 V~ and =
1	0 271 62	48 V~ and =
1	0 271 68	110 V~
1	0 271 63	110/130 V~
1	0 271 64	200/240 V~
1	0 271 67	277 V~
1	0 271 65	380/415 V~
1	0 271 66	440/480 V~

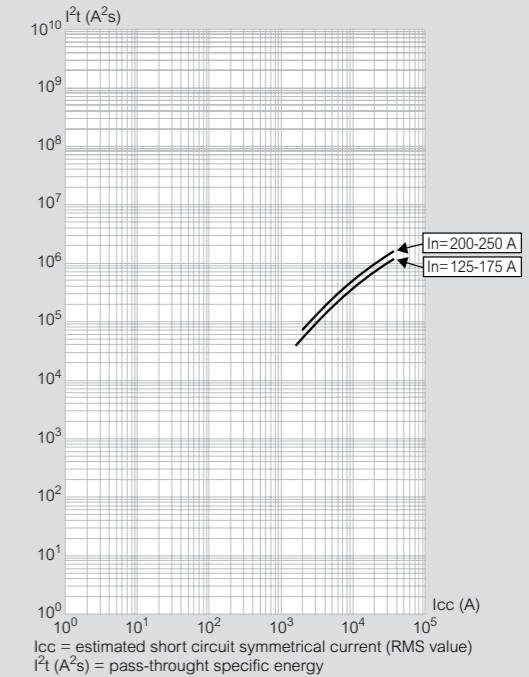
Curves

DRX 250 I_{max} = 250 A from 18 kA to 36 kA 3P - 4P at 415 V~



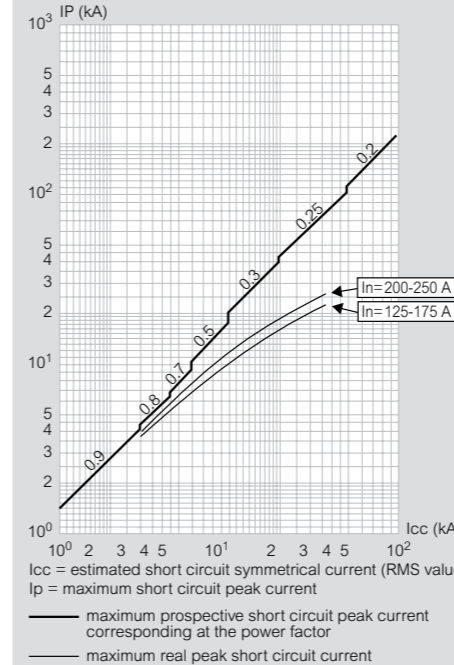
Pass-through specific energy characteristics

DRX 250 I_{max} = 250 A from 18 kA to 36 kA 3P - 4P at 415 V~



Current limitation

DRX 250 I_{max} = 250 A from 18 kA to 36 kA 3P - 4P at 415 V~

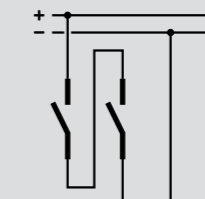


Technical characteristics

	DRX - 18 kA	DRX - 25 kA	DRX - 36 kA	
Number of poles	3P - 4P	3P - 4P	3P - 4P	
Nominal current In (A)	125-250	125-250	125-250	
Neutral protection for 4P version (%)	100	100	100	
Rated insulation voltage Ui (V)	690	690	690	
Rated impulse withstand current Uimp (kV)	6	6	6	
Rated operating voltage (50/60 Hz) Ue (V)	600	600	600	
	110/130 V~	35	60	85
	220/240 V~	35	50	65
	380/415 V~	18	25	36
Ultimate breaking capacity Icu (kA) IEC 60947-2	440/460 V~	15	25	30
	480/550 V~	10	15	20
	600 V~	7,5	10	12
	125 V=	10 ⁽¹⁾	20 ⁽¹⁾	30 ⁽¹⁾
	250 V=	5 ⁽¹⁾	10 ⁽¹⁾	15 ⁽¹⁾
Ultimate breaking capacity Icu (kA) NEMA AB-1	240 V~	35	50	65
	480 V~	10	15	20
	600 V~	7,5	10	15
Standard breaking capacity Ics (% Icu)		50	50	50
Category of use		A	A	A
Suitable for isolation		YES	YES	YES
	mechanical	25000	25000	25000
Endurance (cycles)	electrical at In	8000	8000	8000
	electrical at 0.5 In	10000	10000	10000

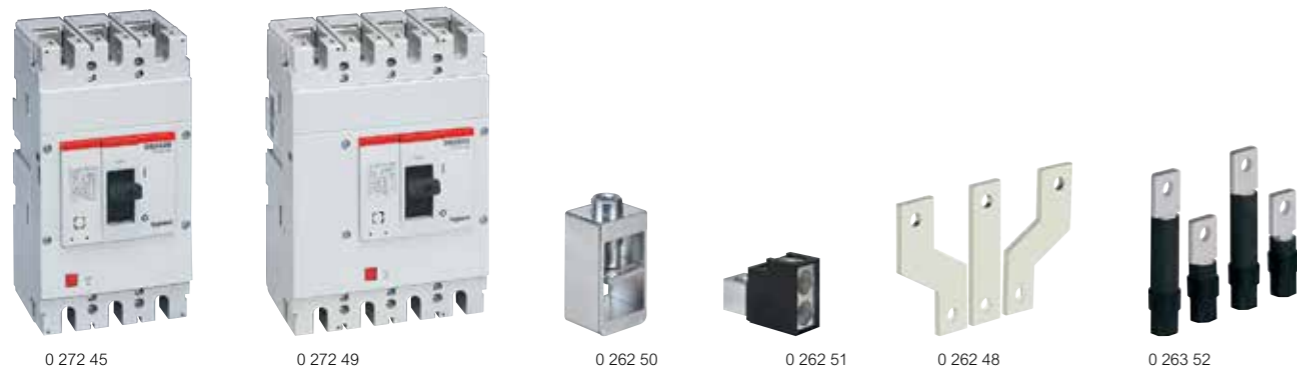
1: 2 poles in series

2 poles in series



DRX™ 630

fixed thermal magnetic MCCBs from 320 to 630 A



For switching, control, isolation and protection of low-voltage electrical lines
 Can be fitted with auxiliaries
 Supplied with:
 - M8 terminals
 - Fixing screws
 - Insulating shields (2 for 3P and 3 for 4P)
 Fixed thermal and magnetic
 Conform to IEC 60947-2

Pack	Cat.Nos	DRX 630
		Breaking capacity Icu 36 kA (415 V~)
		In
1	3P 0 272 34 4P 0 272 38	320 A
1	0 272 35 0 272 39	400 A
1	0 272 36 0 272 40	500 A
1	0 272 37 0 272 41	630 A
		Breaking capacity Icu 50 kA (415 V~)
		In
1	0 272 42 0 272 46	320 A
1	0 272 43 0 272 47	400 A
1	0 272 44 0 272 48	500 A
1	0 272 45 0 272 49	630 A

Pack	Cat.Nos	DRX 630
		Rotary handles
		Direct on DRX
1	0 272 50	Standard (grey)
		Vari-depth handle
1	0 272 51	Comprising: connecting rod, bracket, drilling template, mounting accessories, door locking mechanism Standard (grey)

Pack	Cat.Nos	DRX 630
		Connection accessories
		Insulating shields
1	0 262 30	Used to isolate the connection between each pole Set of 2 pieces
		Sealable terminal shields
1	3P 0 262 44 4P 0 262 45	Set of 2
		IP 20 terminal cover
1	4 222 34 4 222 35	Set of two terminal covers
		Cage terminals
1	0 262 50	Set of 4 cage terminals for cables
1	0 262 51	Set of 4 high capacity cage terminals for cables
		Extended front terminals
1	0 262 47	Set of 4 extended front terminals

Pack	Cat.Nos	Connection accessories (continued)
		Spreaders
1	3P 0 262 48 4P 0 262 49	Set of incoming or outgoing spreaders
		Swivel terminals
1	0 263 50 0 263 51	Set of incoming or outgoing swivel terminals
		Flat terminals
1	0 263 52 0 263 53	Set of incoming or outgoing flat terminals
		Padlock for DRX 630
1	0 262 40	For locking on "OFF" position (up to 3 locks)
		Control and signalling auxiliaries for DRX 630
		For DPX ³ , DPX ³ -I and DRX
		Auxiliary contact or fault signal
1	4 210 11	For signalling the state of the contacts or opening of the MCCB on a fault Changeover switch 3 A - 240 V~
		Shunt releases
		Shunt inrush power 300 V~
		Coil voltage
1	4 222 39	24 V~ and =
1	4 222 40	48 V~ and =
1	4 222 41	110 V~ and =
1	4 222 42	230 V~ and =
1	4 222 43	400 V~ and =
		Undervoltage releases
		Undervoltage power consumption 5 V~
		Coil voltage
1	4 222 44	24 V=
1	4 222 45	24 V~
1	4 222 46	48 V~ and =
1	4 222 47	110 V~ and =
1	4 222 48	230 V~ and =
1	4 222 49	400 V~ and =

DRX™ 630

fixed thermal magnetic MCCBs technical characteristics and curves

Curves
DRX 630 I_{max} = 630 A from 36kA to 50 kA 3P - 4P

Pass-through specific energy characteristics
DRX 630 I_{max} = 630 A from 36kA to 50 kA 3P - 4P at 415 V~

Current limitation
DRX 630 I_{max} = 630 A from 36kA to 50 kA 3P - 4P

Technical characteristics

	DRX - 36 kA	DRX - 50 kA
Number of poles	3P - 4P	3P - 4P
Nominal current I_n (A)	320-630	320-630
Neutral protection for 4P version (%)	100	100
Rated insulation voltage U_i (V)	690	690
Rated impulse withstand current U_{imp} (kV)	6	6
Rated operating voltage (50/60 Hz) U_e (V)	600	600
	220/240 V~	65
	380/415 V~	36
Ultimate breaking capacity I_{cu} (kA)	440/460 V~	30
IEC 60947-2	480/550 V~	25
	125 V=	40
	250 V=	36
Ultimate breaking capacity I_{cu} (kA)	240 V~	60
NEMA AB-1	480 V~	25
	550 V~	30
Standard breaking capacity I_{cs} (% I_{cu})		50
Category of use		A
Suitable for isolation		YES
	mechanical	25000
Endurance (cycles)	electrical at I_n	8000
	electrical at 0.5 I_n	10000

1: 2 poles in series

2 poles in series

I_{cc} = estimated short circuit symmetrical current (RMS value)
 I_p = maximum short circuit peak current
 — maximum prospective short circuit peak current corresponding at the power factor
 - - - maximum real peak short circuit current

THE NEW ADJUSTABLE DRX OFFER



A solution adapted to numerous different sites, whether residential, commercial or even in the industrial sector.

A COMPREHENSIVE RANGE UP TO 630 A

The DRX range of adjustable thermal magnetic circuit breakers has been designed to meet your requirements when it comes to protecting an electrical installation up to 630 A.

The robust design of the DRX range, the adjustable protection, the different accessories for connection and remote tripping have made it the ideal choice in terms of efficiency and affordability.



The right answer in terms of:

CHOICE

- Three different sizes
- Ratings ranging from 16 to 630 A
- Three breaking capacities: 25, 36 and 50 kA




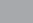
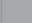
ROBUST DESIGN

- SEMKO - LOVAG certification
- Compliant with standard IEC 60947-2
- Mechanical endurance up to 25,000 operations

ADAPTABILITY

- Fixing on DIN rail or plate for DRX 125 and 250
- Wiring via cables or busbars

THE RANGE OF ADJUSTABLE THERMAL MAGNETIC MCCBs

	DRX 125 		DRX 250 		DRX 630 		
Mounting	ON RAIL  OR ON PLATE		ON RAIL  OR ON PLATE		ON PLATE		
Rated current (I _n)	From 6 to 125 A		From 125 to 250 A		From 320 to 630 A		
Breaking capacity (I _{cu}) at 415 V~	25 kA	36 kA	25 kA	36 kA	36 kA	50 kA	
Standard breaking capacity I _{cs} (%I _{cu})	75	50	75	50	100	100	
Adjustable protection	Thermal	from 0.8 to 1 x I _n		from 0.8 to 1 x I _n		from 5 to 10 x I _n	
	Magnetic	fixed at 10 x I _n		from 5 to 10 x I _n		from 0.8 to 1 x I _n	
Number of poles	3P - 4P	3P - 4P	3P - 4P	3P - 4P	3P - 4P	3P - 4P	

DRX™ 125 and DRX-I 125

adjustable thermal magnetic MCCBs from 16 to 125 A and trip-free switches



For switching, control, isolation and protection of low-voltage electrical lines
Can be fitted with auxiliaries (p. 14)

- Supplied with:
 - M5 terminals for $I_n \leq 50$ A, M8 terminals for $50 < I_n < 125$ A and M6 terminals for $I_n = 125$ A
 - Fixing screws
 - Insulating shields (2 for 3P and 3 for 4P)
- Conform to IEC 60947-2, in compliance with NEMA

Pack	Cat.Nos		DRX 125
			Thermal adjustable from 0.8 to 1 x I_n Magnetic fixed at 10 x I_n (fixed at 400 A up to 30 A)
			Breaking capacity I_{cu} 25 kA (415 V~)
	3P	4P	I_n
1	6 673 50	6 673 60	16 A
1	6 673 51	6 673 61	20 A
1	6 673 52	6 673 62	25 A
1	6 673 53	6 673 63	32 A
1	6 673 54	6 673 64	40 A
1	6 673 55	6 673 65	50 A
1	6 673 56	6 673 66	63 A
1	6 673 57	6 673 67	80 A
1	6 673 58	6 673 68	100 A
1	6 673 59	6 673 69	125 A
			Breaking capacity I_{cu} 36 kA (415 V~)
1	6 673 70	6 673 80	16 A
1	6 673 71	6 673 81	20 A
1	6 673 72	6 673 82	25 A
1	6 673 73	6 673 83	32 A
1	6 673 74	6 673 84	40 A
1	6 673 75	6 673 85	50 A
1	6 673 76	6 673 86	63 A
1	6 673 77	6 673 87	80 A
1	6 673 78	6 673 88	100 A
1	6 673 79	6 673 89	125 A
			DRX-I 125
			Trip-free switches for on-load circuit breaking and isolation of low voltage electrical circuits
1	6 671 39	6 671 59	125 A

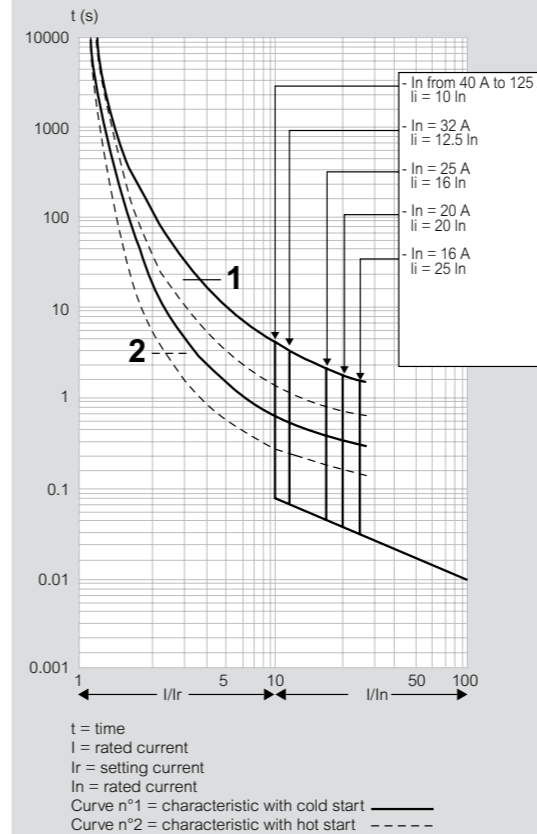
Pack	Cat.Nos		Mounting on rail
20	0 271 89		Plates for fixing DRX 125 and DRX-I 125 on DIN rail
12	0 271 90		For 1P
6	0 271 87		For 2P
			For 3P and 4P
1	0 271 76		Rotary handles
			Direct on DRX
			Standard (grey)
1	0 271 77		Vari-depth handle
			Comprising: connecting rod, bracket, drilling template, mounting accessories, door locking mechanism
			Standard (grey)
			Connection accessories
			Insulating shields
			Used to isolate the connection between each pole
1	0 271 81	4P	Set of 2
1		0 271 82	Set of 3
			Sealable terminal shields
1	0 271 91	2P	Set of 2
	0 271 83	3P	Set of 2
	0 271 84	4P	Set of 2
			Cage terminals
1	0 271 70	4P	Up to 50 A (inclusive)
1	0 271 71	0 271 72	From 60 to 100 A
1	0 272 52	0 272 53	For 125 A
1	0 271 92		Set of 60 pieces up to 50 A (inclusive)
1	0 271 93		Set of 60 pieces from 60 to 100 A
1	0 272 54		Set of 60 pieces from 100 to 125 A
1	0 271 80		Padlock for DRX 125 and 250
			For locking on "OFF" position (up to 3 locks)

DRX™ 125

adjustable thermal magnetic MCCBs technical characteristics and curves

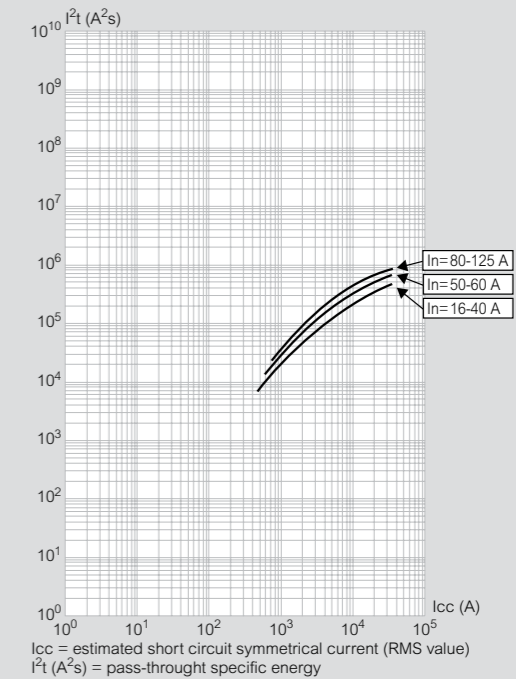
Curves

DRX 125 $I_{max} = 125$ A from 25 kA to 36 kA 3P - 4P at 415 V~



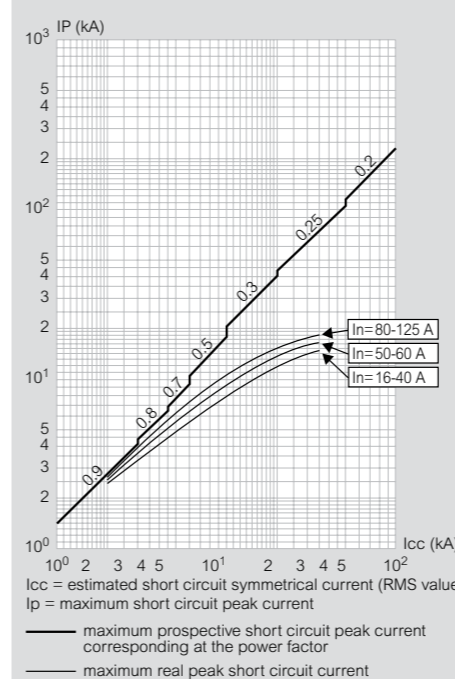
Pass-through specific energy characteristics

DRX 125 $I_{max} = 125$ A from 25 kA to 36 kA 3P - 4P at 415 V~



Current limitation

DRX 125 $I_{max} = 125$ A from 25 kA to 36 kA 3P - 4P at 415 V~

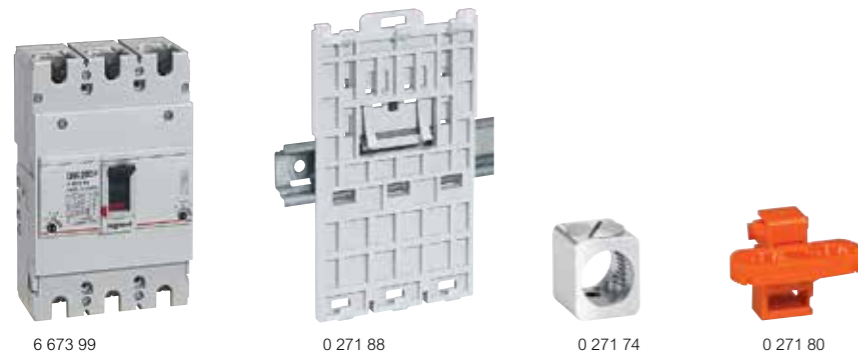


Technical characteristics

	DRX 25 kA	DRX 36 kA	DRX-I 125
Number of poles	3P - 4P	3P - 4P	3P - 4P
Releases type	thermal-mag	thermal-mag	No protection
Ambient temperature Tamb (°C)	40 - 50	40 - 50	
Rated current In (A)	16-125	16-125	125
Rated insulation voltage (50/60Hz) Ui (V)	690	690	690
Rated operational voltage (50/60Hz) Ue (V)	550	550	550
Rated impulse withstand voltage Uimp (kV)	6	6	6
Utilization category	A	A	AC23A
Type of circuit-breaker	25	36	-
Type Letter (if any)	B	F	-
Rated ultimate short-circuit breaking capacity Icu (kA) IEC 60947-2	110/130 V~ 220/240 V~ 380/415 V~ 440/460 V~ 480/550 V~	70 85 25 30 20	- - - - -
Rated service short-circuit breaking capacity Ics (%Icu)		75	50
Rated short-circuit making capacity Icm (at 415 V~)		52.5	75.6
Neutral protection for 4p version (%Ith)		100	100
Rated short-time withstand current Icw (0.5s) (kA)		-	1.5
Rated short-circuit breaking capacity on IT system Isu.lit (kA) IEC 60947-2 (Annexes C - H)	110/130 V~ 220/240 V~ 380/415 V~ 440/460 V~ 480/550 V~	18 18 6.5 5 4	22 22 9 8 -
Rated ultimate breaking capacity Icu (kA) NEMA AB-1	220/240 V~ 480/550 V~	70 15	85 20
Magnetic type	Fixed	Fixed	-
Instantaneous releases phases or neutral poles (2P series)	400A up to 30A; 10 In up to 125A		-
Minimum value of instantaneous release (single pole) (xIn)		1	-
Thermal type		Adjustable	-
Thermal adjustment (xIn)		0.8 ÷ 1	-

DRX™ 250 and DRX-I 250

adjustable thermal magnetic MCCBs from 125 to 250 A and trip-free switches



For switching, control, isolation and protection of low-voltage electrical lines
 Can be fitted with auxiliaries
 Supplied with:
 - M8 terminals
 - Fixing screws
 - Insulating shields (2 for 3P and 3 for 4P)
 Conform to IEC 60947-2

Pack	Cat.Nos	DRX 250
		Thermal adjustable from 0.8 to 1 x In Magnetic adjustable from 5 to 10 x In
		Breaking capacity Icu 25 kA (415 V~)
		In
1	6 673 92 6 674 02	160 A
1	6 673 93 6 674 03	200 A
1	6 673 94 6 674 04	250 A
		Breaking capacity Icu 36 kA (415 V~)
		In
1	6 673 97 6 674 07	160 A
1	6 673 98 6 674 08	200 A
1	6 673 99 6 674 09	250 A

Pack	Cat.Nos	DRX-I 225
		Trip-free switches for on-load circuit breaking and isolation of low voltage electrical circuits
1	6 672 09 6 672 19	225 A

Pack	Cat.Nos	Mounting on rail
1	0 271 88	Plate for fixing DRX 250 and DRX-I 250 on DIN rail

Pack	Cat.Nos	Rotary handles
		Direct on DRX Standard (grey)
1	0 271 78	
		Vari-depth handle Comprising: connecting rod, bracket, drilling template, mounting accessories, door locking mechanism
1	0 271 79	Standard (grey)

Pack	Cat.Nos	Connection accessories
		Insulating shields Used to isolate the connection between each pole Set of 2 Set of 3
1	3P 4P 0 271 81 0 271 82	
		Sealable terminal shields Set of 2
1	0 271 85 0 271 86	
		Cage terminals Up to 250 A Set of 60 pieces
1	0 271 74 0 271 75	
1	0 271 94	

Pack	Cat.Nos	Padlock for DRX 125 and 250
1	0 271 80	For locking on "OFF" position (up to 3 locks)

Pack	Cat.Nos	Control and signalling auxiliaries for DRX 125 and 250
		Auxiliary contact blocks For left-hand side mounting Up to 250 V~ and =
1	0 271 40	Block with 1 auxiliary
1	0 271 41	Block with 1 alarm
1	0 271 42	Block with 1 auxiliary + 1 alarm
		Shunt trips
1	0 271 50	12 V~ and =
1	0 271 51	24 V~ and =
1	0 271 52	48 V~ and =
1	0 271 53	100/130 V~
1	0 271 54	200/277 V~
1	0 271 55	380/480 V~

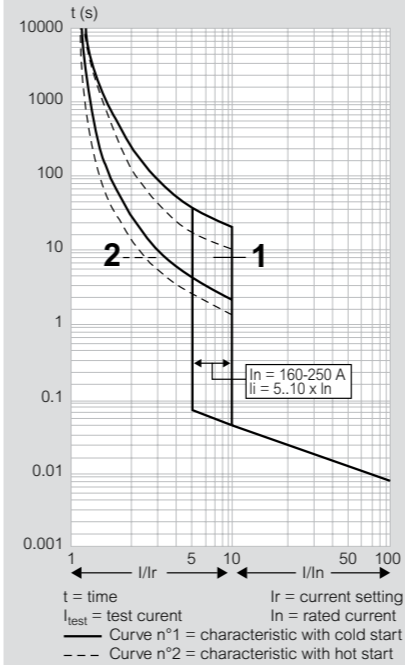
Pack	Cat.Nos	Undervoltage releases
		12 V~ and =
1	0 271 60	
		24 V~ and =
1	0 271 61	
		48 V~ and =
1	0 271 62	
		110 V~
1	0 271 68	
		110/130 V~
1	0 271 63	
		200/240 V~
1	0 271 64	
		277 V~
1	0 271 67	
		380/415 V~
1	0 271 65	
		440/480 V~
1	0 271 66	

DRX™ 250

adjustable thermal magnetic MCCBs technical characteristics and curves

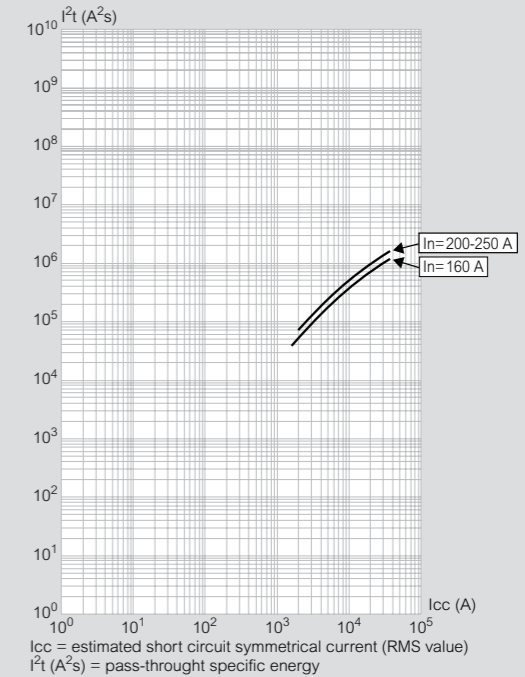
Curves

DRX 250 I_{max} = 250 A from 25 kA to 36 kA 3P - 4P at 415 V~



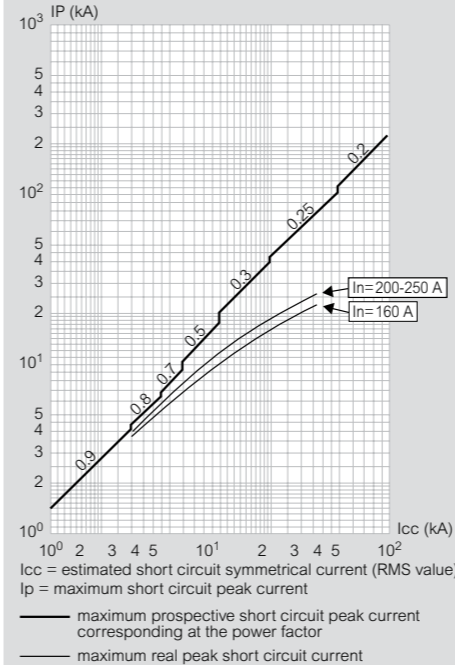
Pass-through specific energy characteristics

DRX 250 I_{max} = 250 A from 25 kA to 36 kA 3P - 4P at 415 V~



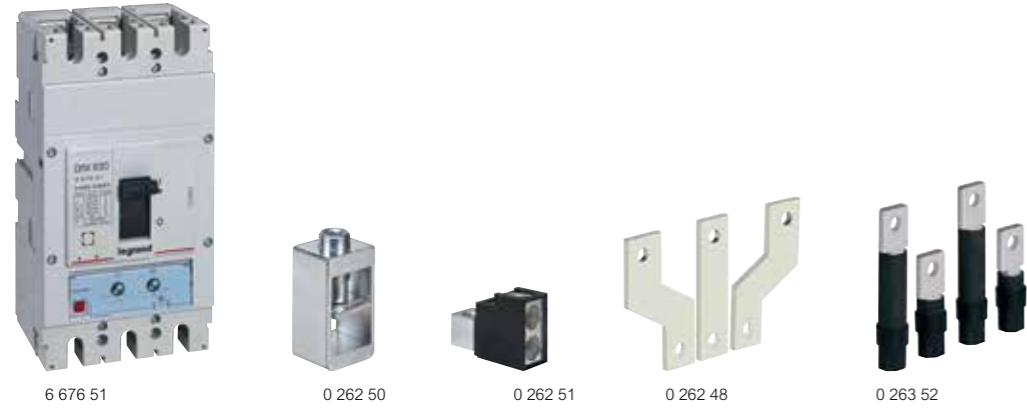
Current limitation

DRX 250 I_{max} = 250 A from 25 kA to 36 kA 3P - 4P at 415 V~



Technical characteristics

	DRX - 25 kA	DRX - 36 kA	DRX-I 250
Number of poles	3P - 4P	3P - 4P	3P - 4P
Releases type	thermal-mag	thermal-mag	No protection
Ambient temperature Tamb (°C)	40-50	40-50	-
Rated current In (A)	160-200-250	160-200-250	250 / 160
Rated insulation voltage (50/60Hz) Ui (V)	690	690	690
Rated operational voltage (50/60Hz) Ue (V)	550	550	550
Rated impulse withstand voltage Uimp (kV)	6	6	6
Utilization category	A	A	AC22A / AC23A
Type of circuit breaker	Type Letter (if any)		
	25 B	36 F	-
Rated ultimate short-circuit breaking capacity Icu (kA) IEC 60947-2	70 380/415 V~ 440/460 V~ 480/550 V~	85 70 36 8	-
Rated service short-circuit breaking capacity Ics (%Icu)	75	50	-
Rated short-circuit making capacity Icm (at 415 V~)	52.5	75.6	4.3
Neutral protection for 4P version (%I_{th})	100	100	-
Rated short-time withstand current Icw (0.5s) (kA)			3
Rated short-circuit breaking capacity on IT system I_{su,IT} (kA) IEC 60947-2 (Annexes C - H)	110/130 V~ 220/240 V~ 380/415 V~	18 22 9	-
Rated ultimate short-circuit breaking capacity Icu (kA) NEMA AB-1	220/240 V~ 480/550 V~	70 8	-
Magnetic type		Adjustable	-
Thermal magnetic releases (xIn)		5 ÷ 10	-
Minimum value of instantaneous release (single pole) (xIi)		1	-
Thermal type		Adjustable	-
Thermal adjustment (xIn)		0.8 ÷ 1	-



For switching, control, isolation and protection of low-voltage electrical lines
 Can be fitted with auxiliaries
 Supplied with:
 - M8 terminals
 - Fixing screws
 - Insulating shields (2 for 3P and 3 for 4P)
 Conform to IEC 60947-2

Pack	Cat.Nos		DRX 630
	3P	4P	Thermal adjustable from 5 to 10 x I _n Magnetic adjustable from 0.8 to 1 x I _n Breaking capacity I_{cu} 36 kA (415 V~) I _n
1	6 676 50	6 676 54	320 A
1	6 676 51	6 676 55	400 A
1	6 676 52	6 676 56	500 A
1	6 676 53	6 676 57	630 A
			Breaking capacity I_{cu} 50 kA (415 V~) I _n
1	6 676 58	6 676 62	320 A
1	6 676 59	6 676 63	400 A
1	6 676 60	6 676 64	500 A
1	6 676 61	6 676 65	630 A

Pack	Cat.Nos	Rotary handles
1	0 272 50	Direct on DRX Standard (grey)
1	0 272 51	Vari-depth handle Comprising: connecting rod, bracket, drilling template, mounting accessories, door locking mechanism Standard (grey)

Pack	Cat.Nos	Connection accessories
1	0 262 30	Insulating shields Used to isolate the connection between each pole Set of 2 pieces
1	0 262 44 0 262 45	Sealable terminal shields Set of 2
1	4 222 34 4 222 35	IP 20 terminal cover Set of two terminal covers
1	0 262 50	Cage terminals Set of 4 cage terminals for cables
1	0 262 51	Set of 4 high capacity cage terminals for cables
1	0 262 47	Extended front terminals Set of 4 extended front terminals

Pack	Cat.Nos		Connection accessories (continued)
1	0 262 48	0 262 49	Spreaders Set of incoming or outgoing spreaders
1	0 263 50	0 263 51	Swivel terminals Set of incoming or outgoing swivel terminals
1	0 263 52	0 263 53	Flat terminals Set of incoming or outgoing flat terminals

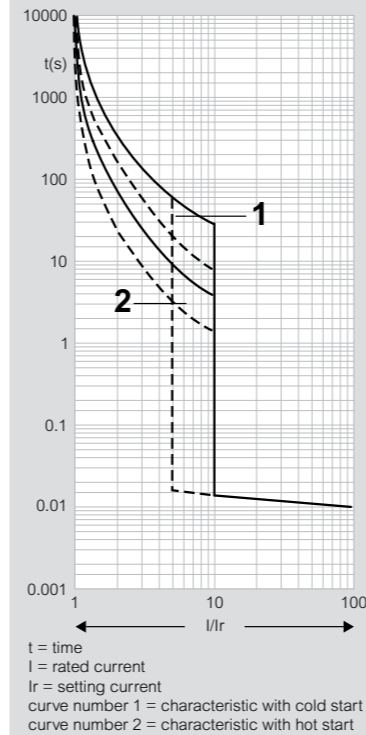
Pack	Cat.Nos	Padlock for DRX 630
1	0 262 40	For locking on "OFF" position (up to 3 locks)

Pack	Cat.Nos	Control and signalling auxiliaries for DRX 630
1	4 210 11	For DPX ³ , DPX ³ -I and DRX Auxiliary contact or fault signal For signalling the state of the contacts or opening of the MCCB on a fault Changeover switch 3 A - 240 V~

Pack	Cat.Nos	Shunt releases
1	4 222 39	Shunt inrush power 300 V~ Coil voltage 24 V~ and =
1	4 222 40	48 V~ and =
1	4 222 41	110 V~ and =
1	4 222 42	230 V~ and =
1	4 222 43	400 V~ and =
1	4 222 44	Undervoltage releases Undervoltage power consumption 5 V~ Coil voltage 24 V=
1	4 222 45	24 V~
1	4 222 46	48 V~ and =
1	4 222 47	110 V~ and =
1	4 222 48	230 V~ and =
1	4 222 49	400 V~ and =

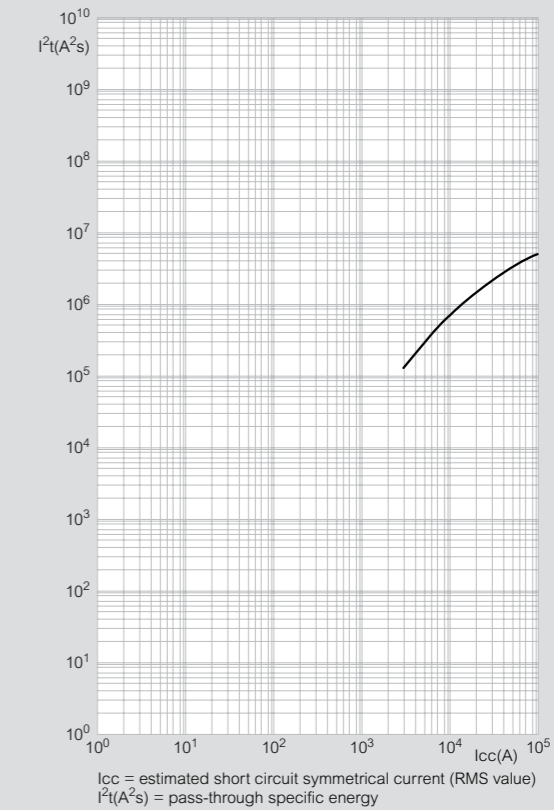
Curves

DRX 630 I_{max} = 630 A from 36kA to 50 kA 3P - 4P



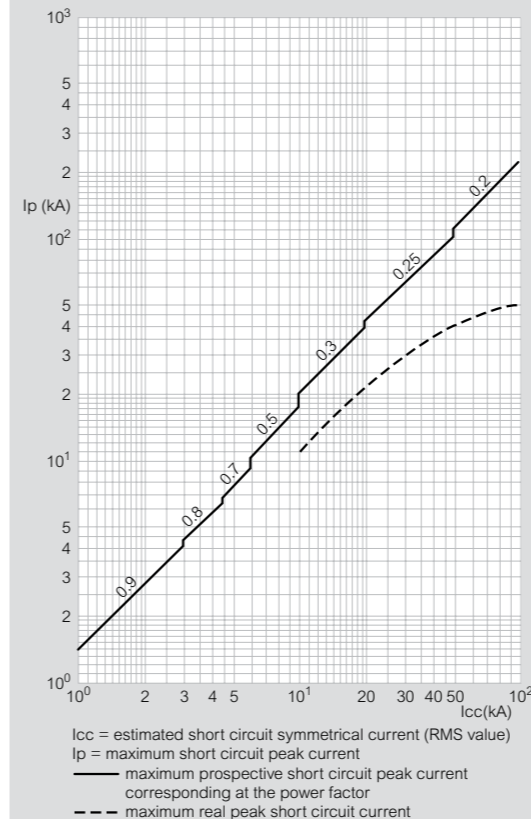
Pass-through specific energy characteristics

DRX 630 I_{max} = 630 A from 36kA to 50 kA 3P - 4P at 415 V~



Current limitation

DRX 630 I_{max} = 630 A from 36kA to 50 kA 3P - 4P



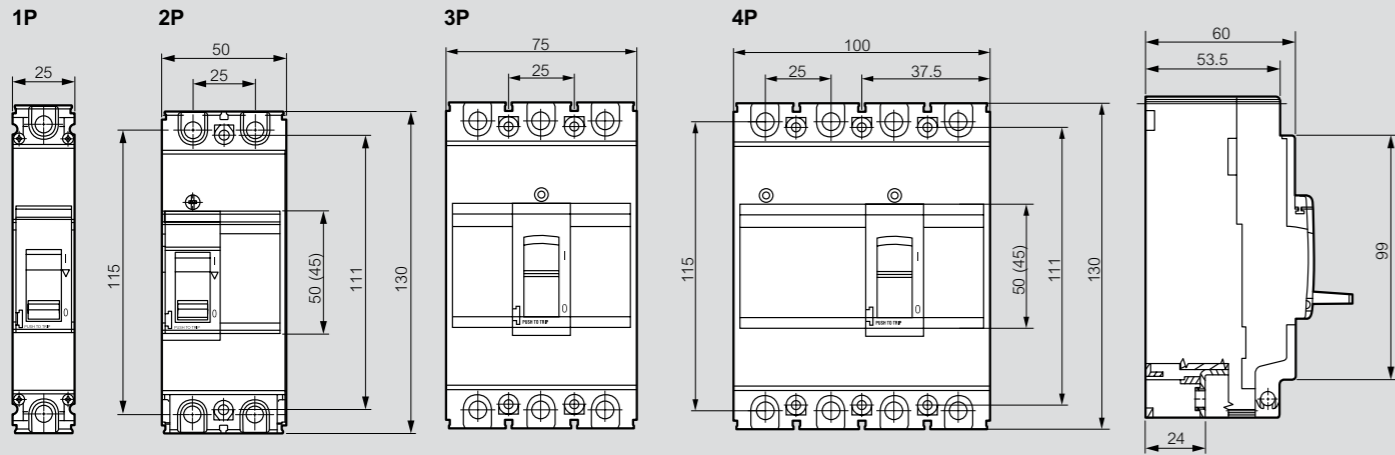
Technical characteristics

	DRX - 36 kA	DRX - 50 kA
Number of poles	3P - 4P	3P - 4P
Releases type	thermal-mag	thermal-mag
Ambient temperature Tamb (°C)	40 - 50	40 - 50
Rated current I_n (A)	320-630	320-630
Rated insulation voltage (50/60Hz) U_i (V)	800	800
Rated operational voltage (50/60 Hz) U_e (V)	690	690
Rated impulse withstand voltage U_{imp} (kV)	8	8
Utilization category	A	A
Type of circuit-breaker	36	50
	110/130 V~	70
	220/240 V~	100
Rated ultimate short-circuit breaking capacity I_{cu} (kA) IEC 60947-2	380/415 V~	36
	440/460 V~	30
	480/550 V~	25
	600 V~	20
	690 V~	14
Rated service short-circuit breaking capacity I_{cs} (%I_{cu})		100
Rated short-circuit making capacity I_{cm} (at 415 V~)		75.6
Neutral protection for 4P version (%I_{th})		100
	110/130 V~	18
	220/240 V~	18
Rated short-circuit breaking capacity on IT system I_{su,IT} (kA) IEC 60947-2 (Annexes C - H)	380/415 V~	9
	440/460 V~	8
	480/550 V~	8
	600 V~	8
	690 V~	8
Rated ultimate short-circuit breaking capacity I_{cu} (kA) NEMA AB-1	220/240 V~	70
	480/500 V~	25
	690 V~	14
Magnetic type	Adjustable	
Thermal magnetic releases (xI_n)	5 + 10	
Instantaneous releases phases or neutral poles (2P series) (xI_n)	10	
Minimum value of instantaneous release (single pole) (xI_n)	1.2	
Thermal type	Adjustable	
Thermal adjustment (xI_n)	0.8 ÷ 0.9 ÷ 1	

DRX™ 125

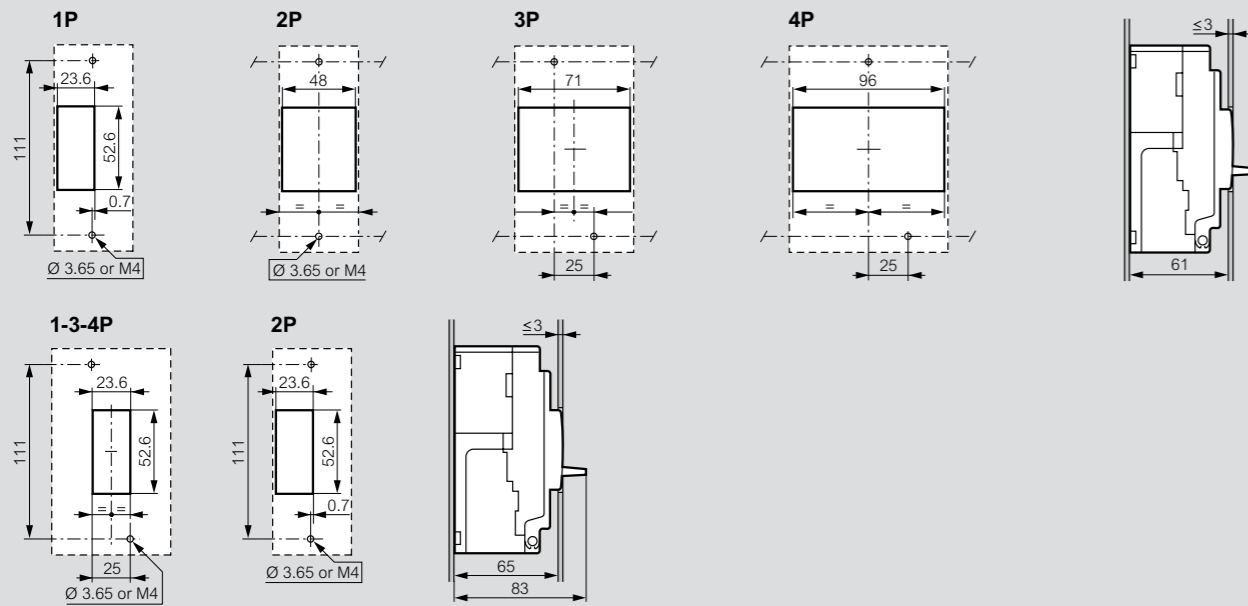
dimensions, mounting principle and connection for fixed and adjustable thermal magnetics MCCBs

Dimensions



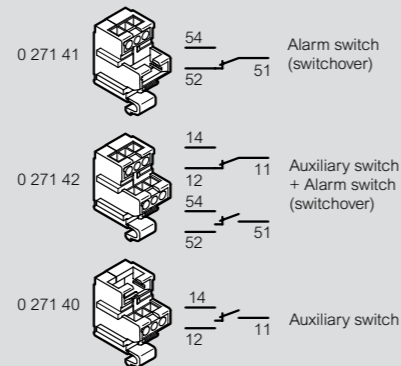
Mounting principle

Door cut-out

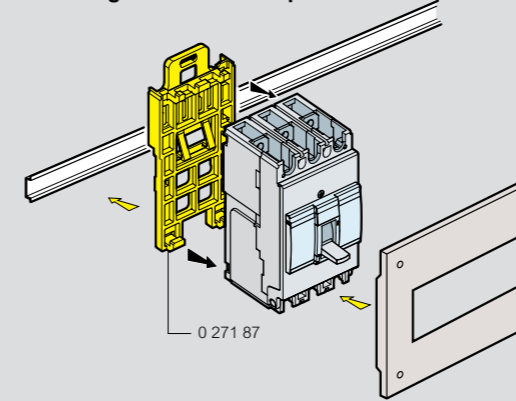


Auxiliary contacts

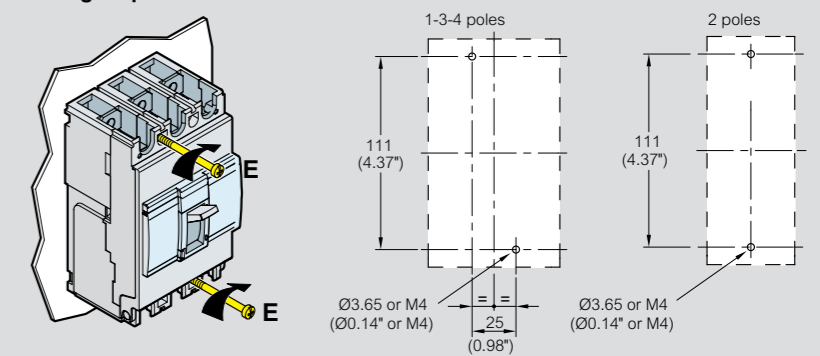
	Voltage (V)	Resistive load (A)
Vac	125	5
	250	5
Vdc	30	5
	50	1
	75	0.75
	125	0.5
	250	0.25
Mechanical endurance (No. of operations)		5 x 10 ⁶
Temperature (°C)		- 40 to 85 °C



Mounting on DIN rail with plate

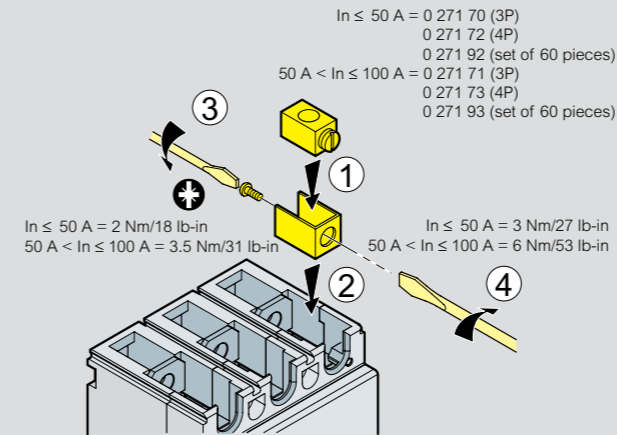


Fixing on plate

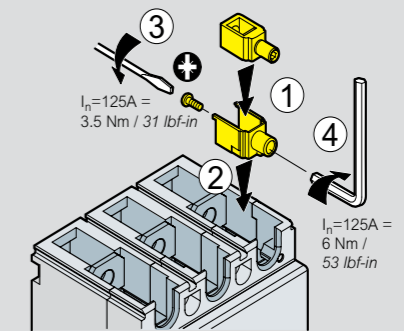


Connection

Connection via cable In ≤ 100 A

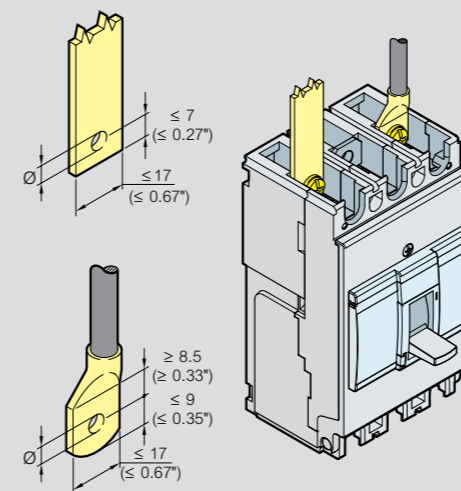


Connection via cable In = 125 A



DRX ≤ 50 A	50 A < In ≤ 100 A	In = 125 A
Flexible 2.5 → 10 mm ² #14 → #8 AWG	Flexible 10 → 35 mm ² #8 → #3/2 AWG	Flexible 35 → 50 mm ² #3/2 → #1/0 AWG
or Solid 2.5 → 16 mm ² #14 → #6 AWG	Solid 10 → 50 mm ² #8 → #1/0 AWG	Solid 35 → 50 mm ² #3/2 → #1/0 AWG
2.5 to 4 mm ² (#14 to #10 AWG) flexible cables connection via crimped end-barrels		

Connection via busbar

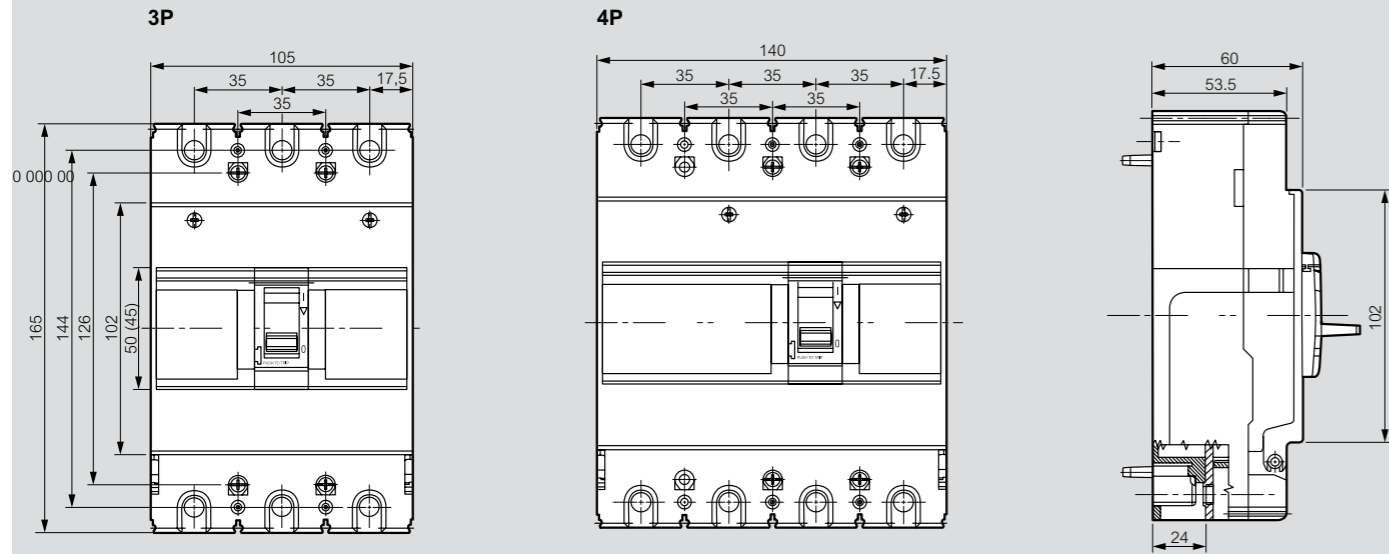


In ≤ 50 A	50 A < In ≤ 125 A	In = 125 A
Ø 5.5 mm / 0.21"	Ø 8.5 mm / 0.32"	

DRX™ 250

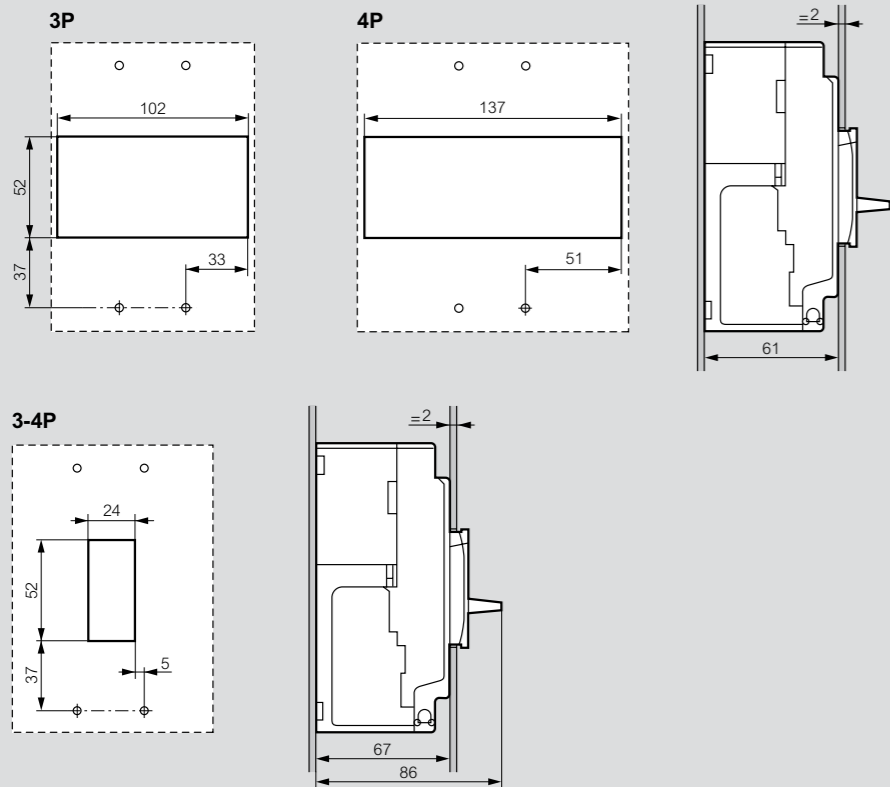
dimensions, mounting principle and connection for fixed and adjustable thermal magnetics MCCBs

Dimensions

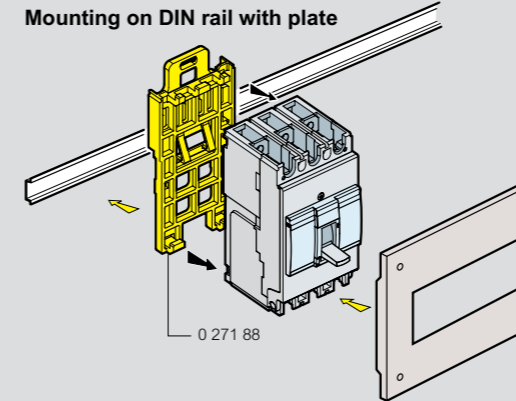


Mounting principle

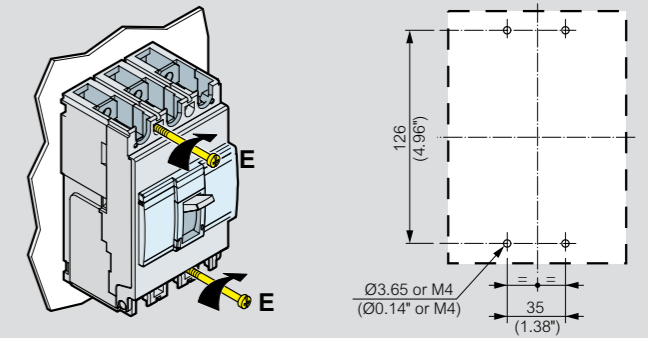
Door cut-out



Mounting on DIN rail with plate

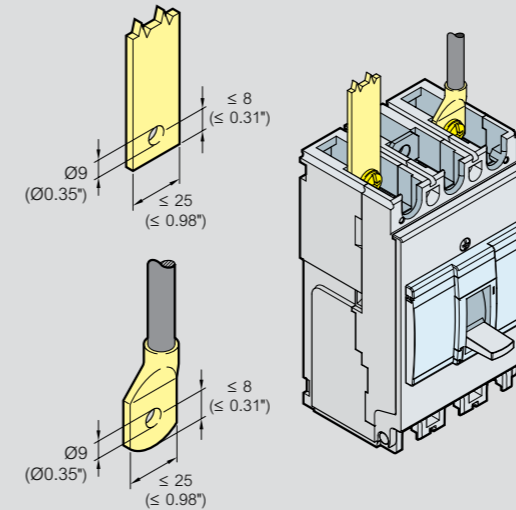


Fixing on plate

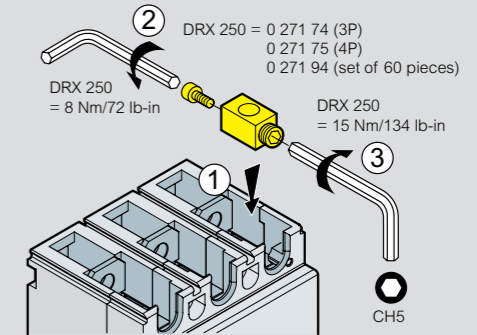


Connection

Connection via busbar



Connection via cable

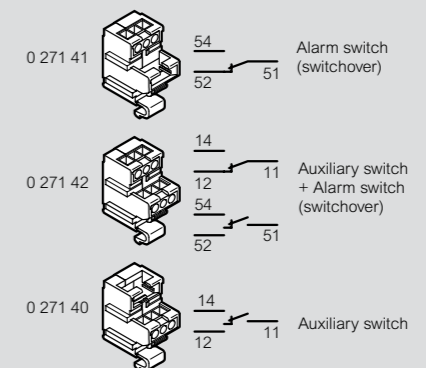


DRX 250 - 125 to 250 A

Flexible
35 mm² = 120 mm²
#2 = #250 MCM
or
Solid
35 mm² = 150 mm²
#2 = #300 MCM

Auxiliary contacts

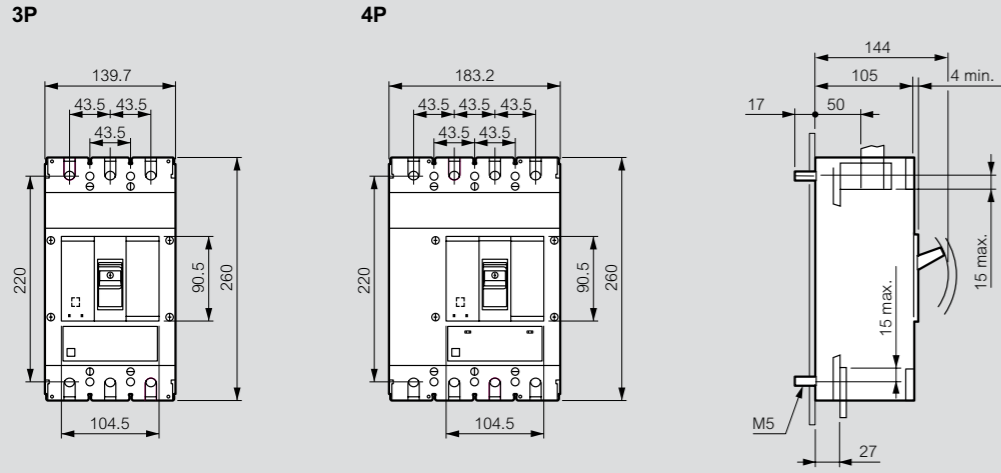
	Voltage (V)	Resistive load (A)
Vac	125	5
	250	5
Vdc	30	5
	50	1
	75	0.75
	125	0.5
	250	0.25
Mechanical endurance (No. of operations)		5 x 10 ⁶
Temperature (°C)		- 40 to 85 °C



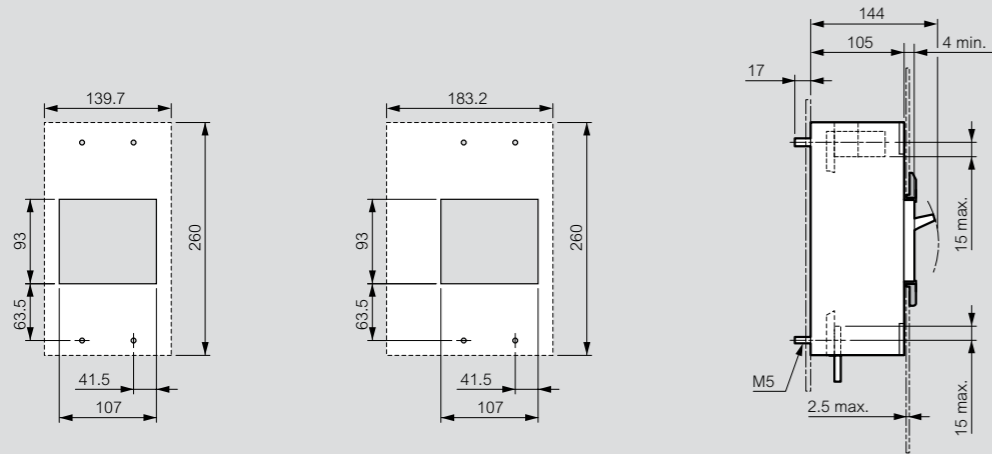
DRX™ 630

dimensions, mounting principle and connection for fixed and adjustable thermal magnetics MCCBs

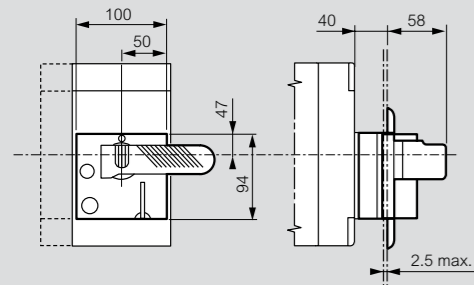
Dimensions



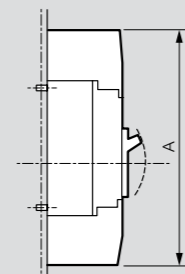
Door cut



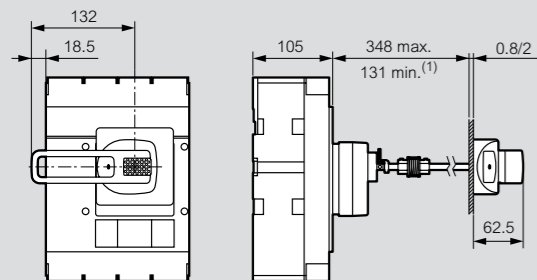
Rotary handle-direct on DPX



Terminal shields



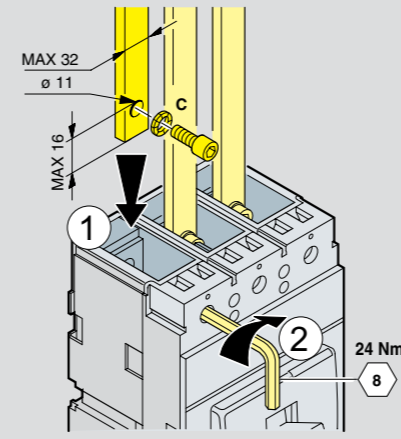
Rotary handle-vari-depth handle on door
Mounting with flexible seal



1: 75 mm without mechanical system

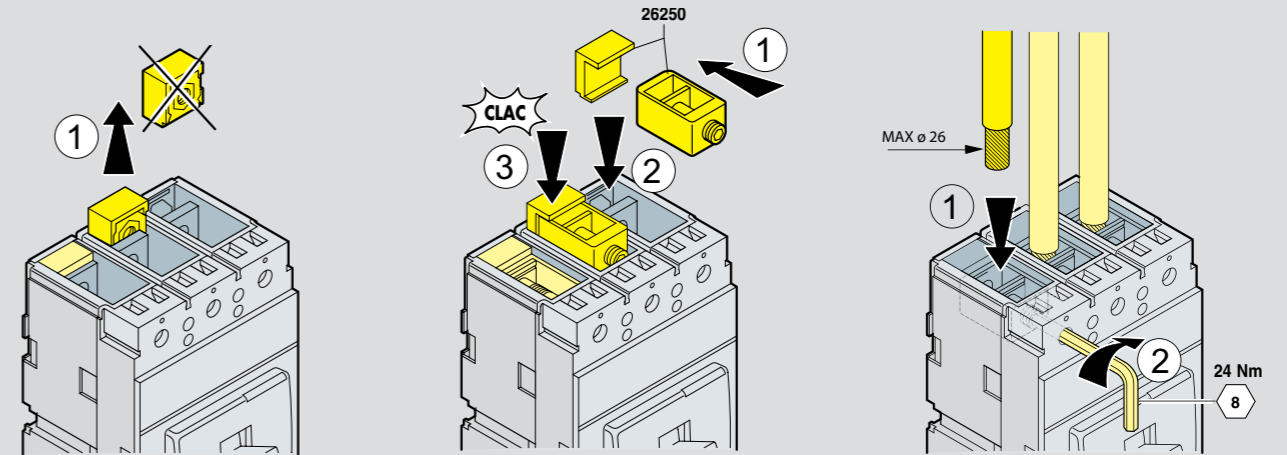
Connection

Connection via busbar

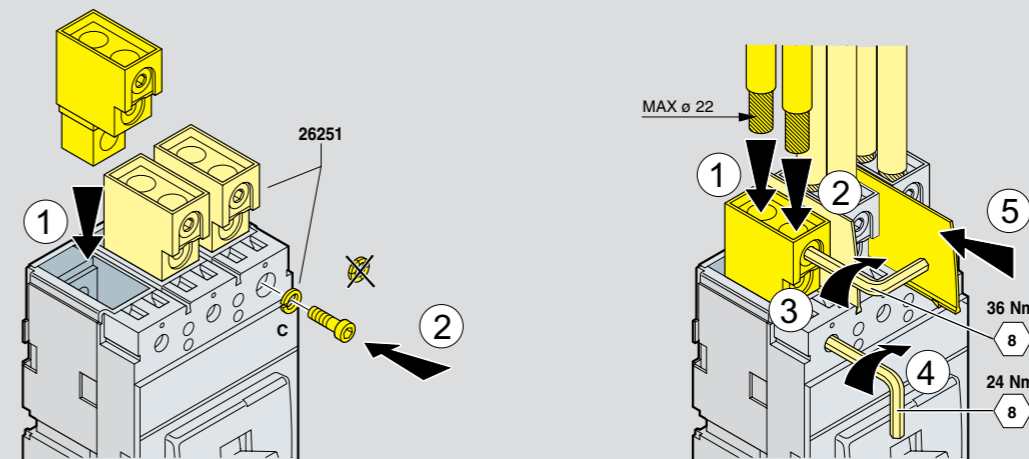


Connection via cable

With cage terminals Cat.No 0 262 50



With high capacity cage terminals Cat.No 0 262 51





FOLLOW US
ALSO ON

@ www.legrand.com.mm
f Legrand Myanmar
customerhub.mm@legrandelectric.com



Legrand (S) Pte Ltd Myanmar Branch
Room No (304), Level-2, Building (15),
Myanmar ICT Park, Hlaing Universities'
Campus, Hlaing Township, Yangon, Myanmar.
Ph: 01-230 5240